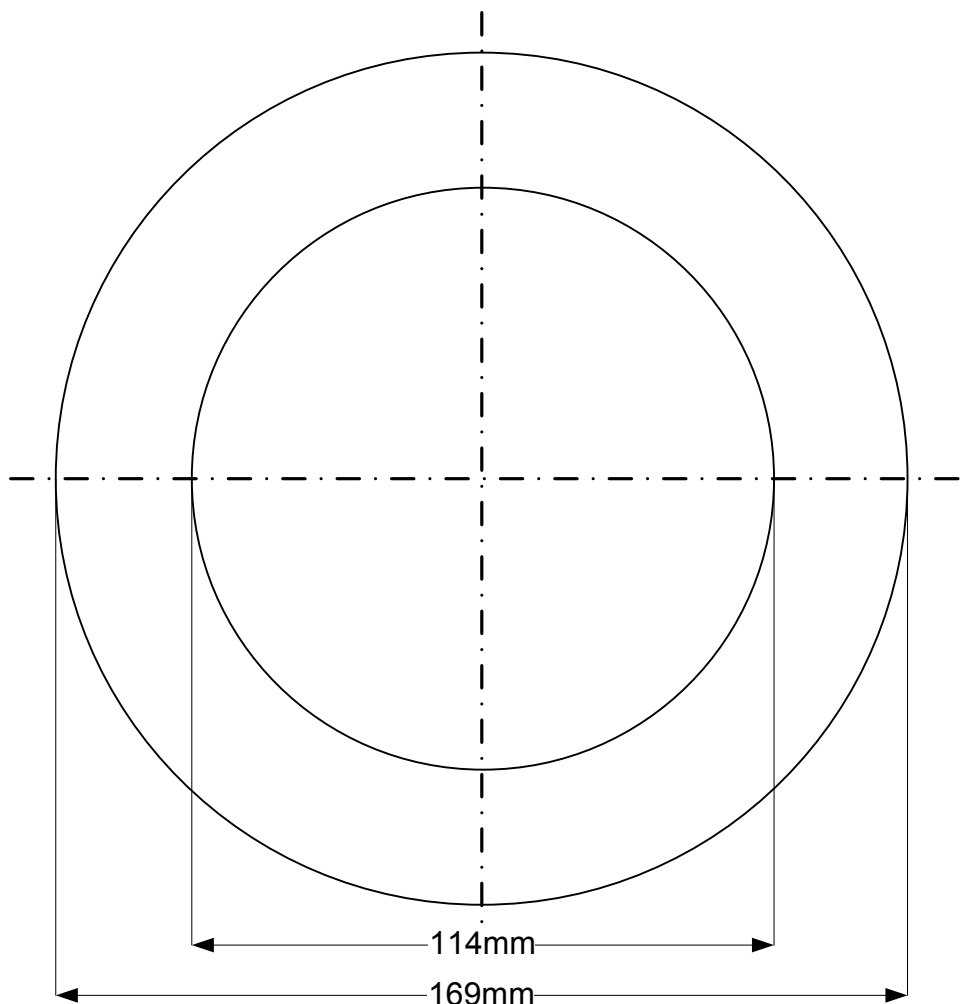


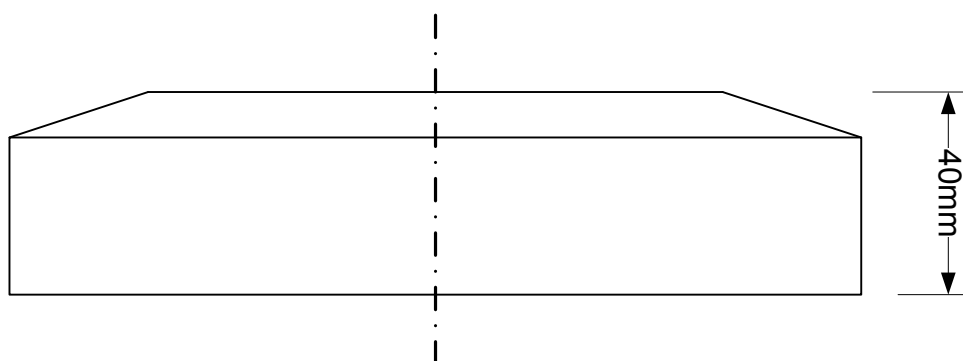
Code:

**WC17-114**

TOP VIEW



SIDE VIEW



© McALPINE  
27/04/11

Drawing verified  
correct as of:

27.04.11  
D.E.

DRAWN BY  
MICHELLE GALLAGHER

REVISED  
27.04.11

FILENAME  
WC17-114.VSD

SCALE  
1: 1.5

DATE  
27.04.11